



Technical data sheet

Thermat

**Sauna heater for domestic sauna cabins.
Wall-mounting model.**

Universal sauna heater for the Finnisch (dry) sauna. Thanks to the new top made of die-cast aluminium with anthracite pearleffect coating Thermat heaters offer a timeless, elegant design.

Your advantages:

- Universal sauna heater for dry Finnish sauna.
- Optimal relation between stone volume and air convection system for fast heat-up times and powerful water infusions.
- Contemporary, elegant die-cast aluminium top.
- Scratch resistant anthracite pearleffect powder-coating.
- Made in Germany quality from EOS.

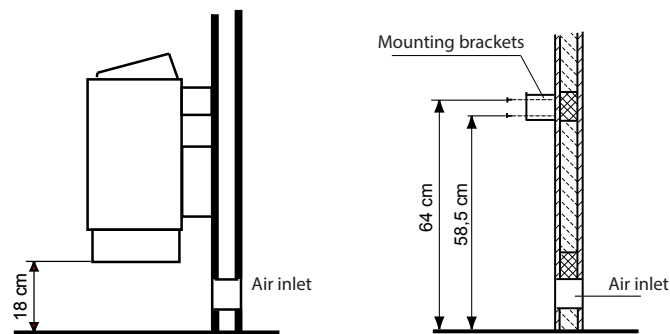
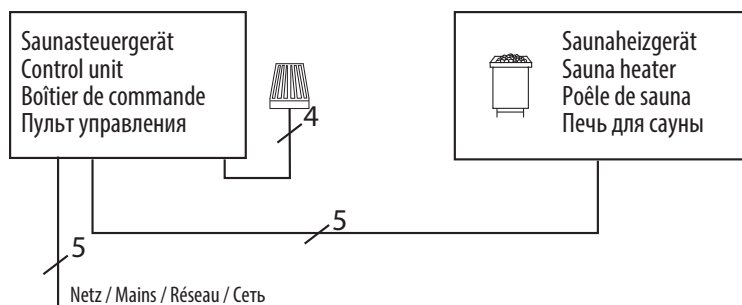
Specifications:

Outer shell:	Steel with anthracite pearl effect powder-coating (scratch-resistant)
Inner shell:	Corrosion-resistant aluminium-coated steel
Top:	Aluminum die-cast top, anthracite pearl effect coated
Rear wall:	Zinc-plated steel
Stone support grill:	Stainless steel
Terminal box:	Zinc-plated steel, corrosion-resistant
Power range:	4,5, 6,0, 7,5 and 9,0 kW
Power supply:	400 V 3N AC 50 Hz
Stone filling:	15 kg, incl. in delivery
Installation:	Wall-mounted heater



CE IPx4 MADE IN GERMANY 

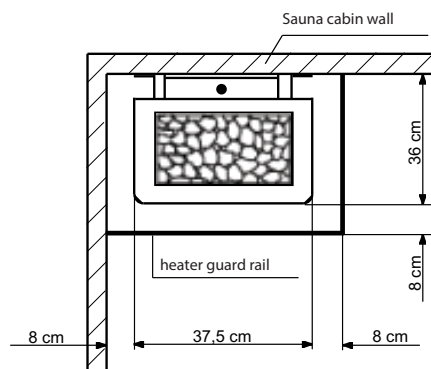
Connection diagram



Suitable sauna control units

Model	Item no.
Econ D1	94.5202
Econ D2	94.5204
Econ D3	94.5549
Emotec D	94.5559
Emotec DC9000	94.4674
Emotec DC9000 DLF	94.4639

Minimum clearances



Spare parts

Description	Item no.
Heating element for 4,5 kW (1500W)	2000.8085
Heating element for 6,0 kW (2000 W)	2000.8086
Heating element for 7,5 kW (2500 W)	2000.8084
Heating element for 9 kW (1500 W)	2000.8085

Item no.	Colour	Power output	Electrical connection	Fuse protection (control unit)	Dimensions H/W/D, in cm	For sauna cabin size	Min. size air inlet and outlet	Weight without rocks	Connection mains - control unit	Connection control unit - heater	Power extension required
94.5479	Anthracite pearl effect	4,5 kW	3N AC 50 Hz 400 V	3 x 16 A	60 / 37,5 / 36	4 - 6 m ³	35 x 3 cm	11,0 kg	5 x 2,5 mm ²	5 x 1,5 mm ²	no
94.5480		6,0 kW				6 - 8 m ³	35 x 4 cm				
94.5481		7,5 kW				7 - 10 m ³	35 x 5 cm				
94.5482		9,0 kW				9 - 14 m ³	35 x 6 cm	12,5 kg			

All cross sections of a line are minimum diameters in mm² (copper wire), make sure to observe 18 cm ground clearance.